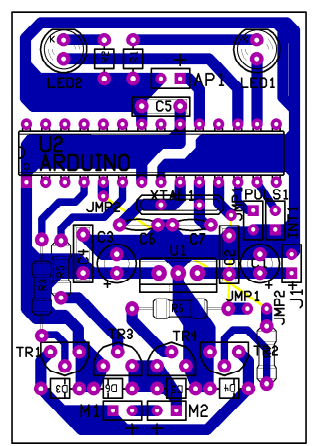


Drill tape data			
Tool Code	Hole Size	Sym bol	Hole Count

Board type: FR4
 Board thickness: .062"
 Copper weight: 2oz
 Layer count: 2
 All dimensions are in inches.
 Board should have green



Co:	www.tattik.it		
Title:	FantasmOne		
Author:	Michele Guerra	Revision:	A
Drawn:	michele.guerra72@gmail.com	Size:	A
Date:	24 OTT 2011	Sheet	1 of 1