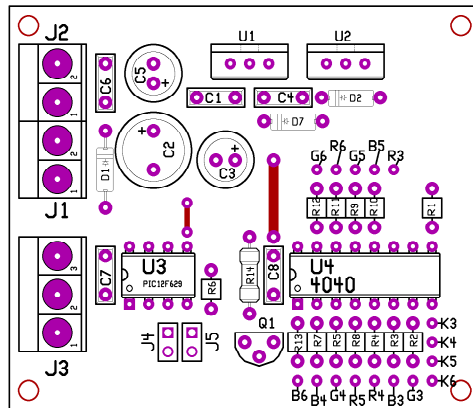


Drill tape data			
Tool Code	Hole Size	Sym bol	Hole Count



Board type: FR4
Board thickness: .062"
Copper weight: 2oz
Layer count: 2
All dimensions are in inches.
Board should have green

Co:	WWW.TATTIK.ALTERVISTA.ORG		
Title:	SCATTO AUTOMATICO X FOTOCAMERA DIGITALE X TEMPI LUNGI		
Board:	1.0	Revision:	A
Drawn:	MICHELE GUERRA	Size:	A
Date:	09 04 2009	Sheet	1 of 1