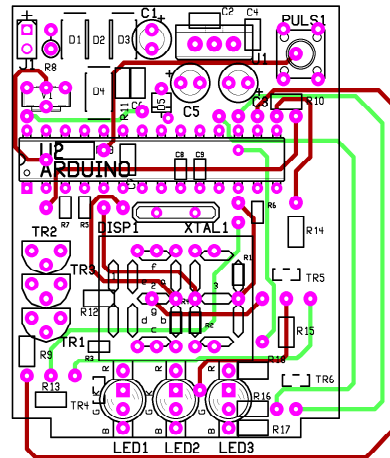


Drill tape data			
Tool Code	Hole Size	Sym bol	Hole Count

Board type: FR4  
 Board thickness: .062"  
 Copper weight: 2oz  
 Layer count: 2  
 All dimensions are in inches.  
 Board should have green



Co:	<a href="http://www.tattik.altervista.org">www.tattik.altervista.org</a>		
Title:	VoltOne		
Author:	Michele Guerra	Revision:	A
Drawn:	michele.guerra72@gmail.com	Size:	A
Date:	rev. 13 may 2011	Sheet	1 of 1